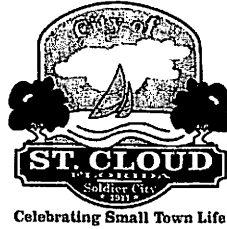


**STANDARD PLANS**  
**For**  
**LAWN STORAGE BUILDINGS (SHEDS)**

The City of Saint Cloud Building Department is pleased to announce a new program for owners who wish to build their own lawn storage building (shed). The department has come up with a typical design that can be used to construct a frame building with a maximum width and length of ten feet. The plans give you options for placement of windows and doors allows options for the exterior finish, and also gives you options for building on a slab or an anchored wood floor system.

Good luck with your project.



# BUILD - A - SHED

## Standard Details for Wood Framed Sheds

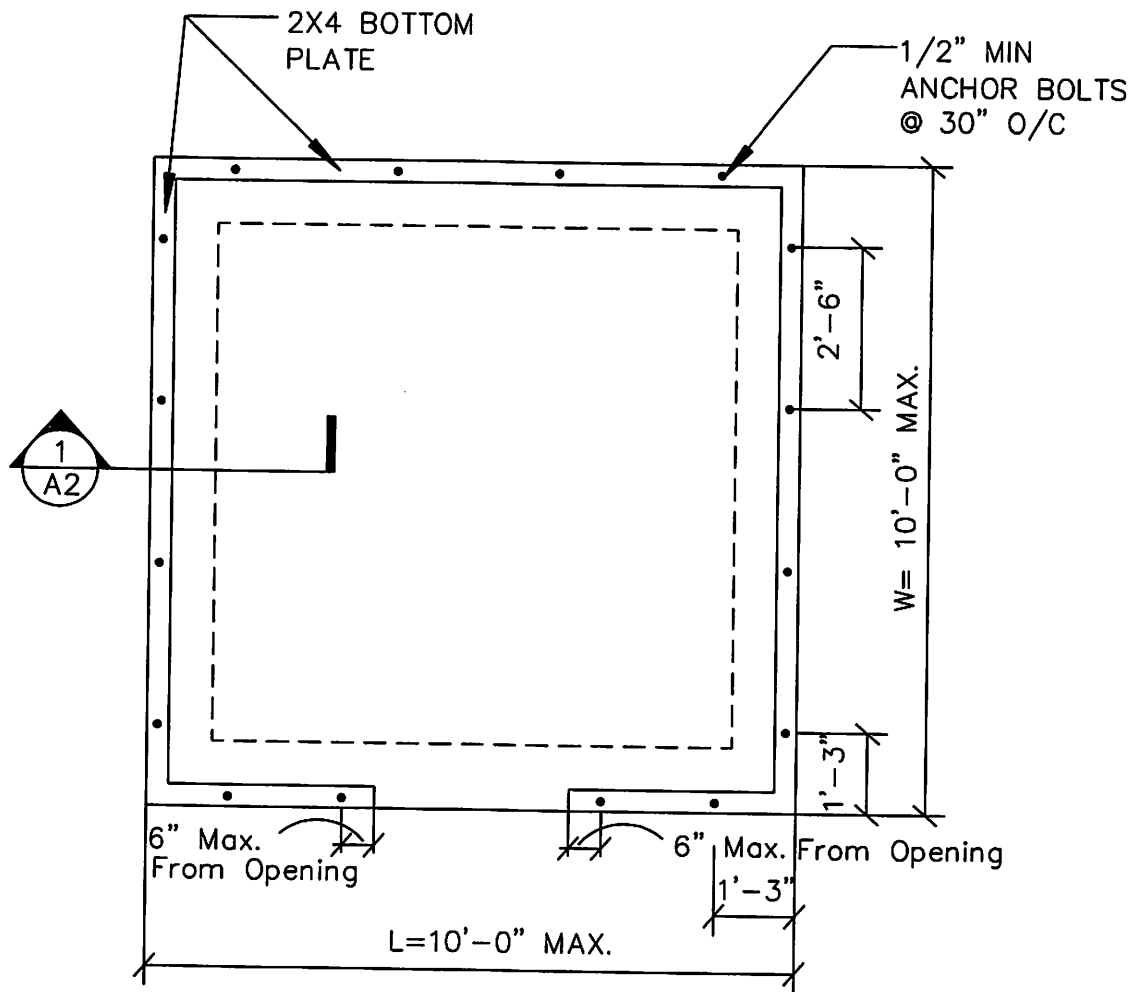
Index to Drawings	
Description	Drawing No.
Cover Sheet	C-1
General Notes	G-1
Foundation Plan (Option 1)	A-1
Wall Section	A-2
Enlarged Details	A-3
Floor Framing Plan (Option 2)	A-4
Cable Tie Down Details	A-5
Floor Framing	A-6
Wall Framing	A-7
Framing at Door Opening	A-8
Framing at Window Opening - Sidewall	A-9
Framing at Window Opening - Endwall	A-10
Connector Details	A-11
Ridge Beam and Collar Beam Details	A-12
Roof Framing Plan	A-13
Nailing Pattern	A-14

Wood Framed Sheds	Cover Sheet	Dwg. Number:	C-1
-------------------	-------------	--------------	-----

# General Notes

1. Prescriptive design parameters are according to The Wood Frame Construction Manual 2001 Edition under the provisions of section 1606.1.1, paragraph (4) of the Florida Building Code **Sixth Edition 2017**
2. Wall sheathing shall be exterior grade wood structural panel with a minimum thickness of ½ inch if installed horizontally with long dimension on vertical studs or a minimum thickness of 19/32 inch if installed vertically on studs.
3. Exterior wall vapor barrier, siding or finish is optional.
4. Wall studs spacing shall not exceed 24" on center.
5. Window openings are optional, locations are at the center of the wall. Width of window opening shall not exceed 4 ft.
6. Header lumber for window and door openings up to 4 ft wide shall be made of 2-2"x 4".
7. Jack studs to support headers on window and door openings up to 4ft wide shall be made of 1-2" x 4" located at each end of the header.
8. Roof rafter spacing shall not exceed 24" on center.
9. Collar ties (collar beams) of nominal 2"x 4" lumber shall be located in the upper third of the attic space and attached to rafters with a minimum of 2-10d common nails at each end.
10. Roof sheathing shall be a minimum of 7/16" thick of wood structural panel and shall be installed with the long dimension across the rafter supports. Edges of all 7/16 inch roof structural panel supported at 24" on center, shall be supported with blocking or edge clips.
11. Roof structural panel shall be attached to supports with 8d common nails or 10d box nails and spacing shall not exceed 6" on center.
12. Roofing material, windows and doors shall have a Florida product approval and shall be installed according to manufacturer's specifications.

<b>Wood Framed Sheds</b>	<b>General Notes</b>	<b>Dwg. Number:</b>	<b>G-1</b>
--------------------------	----------------------	---------------------	------------

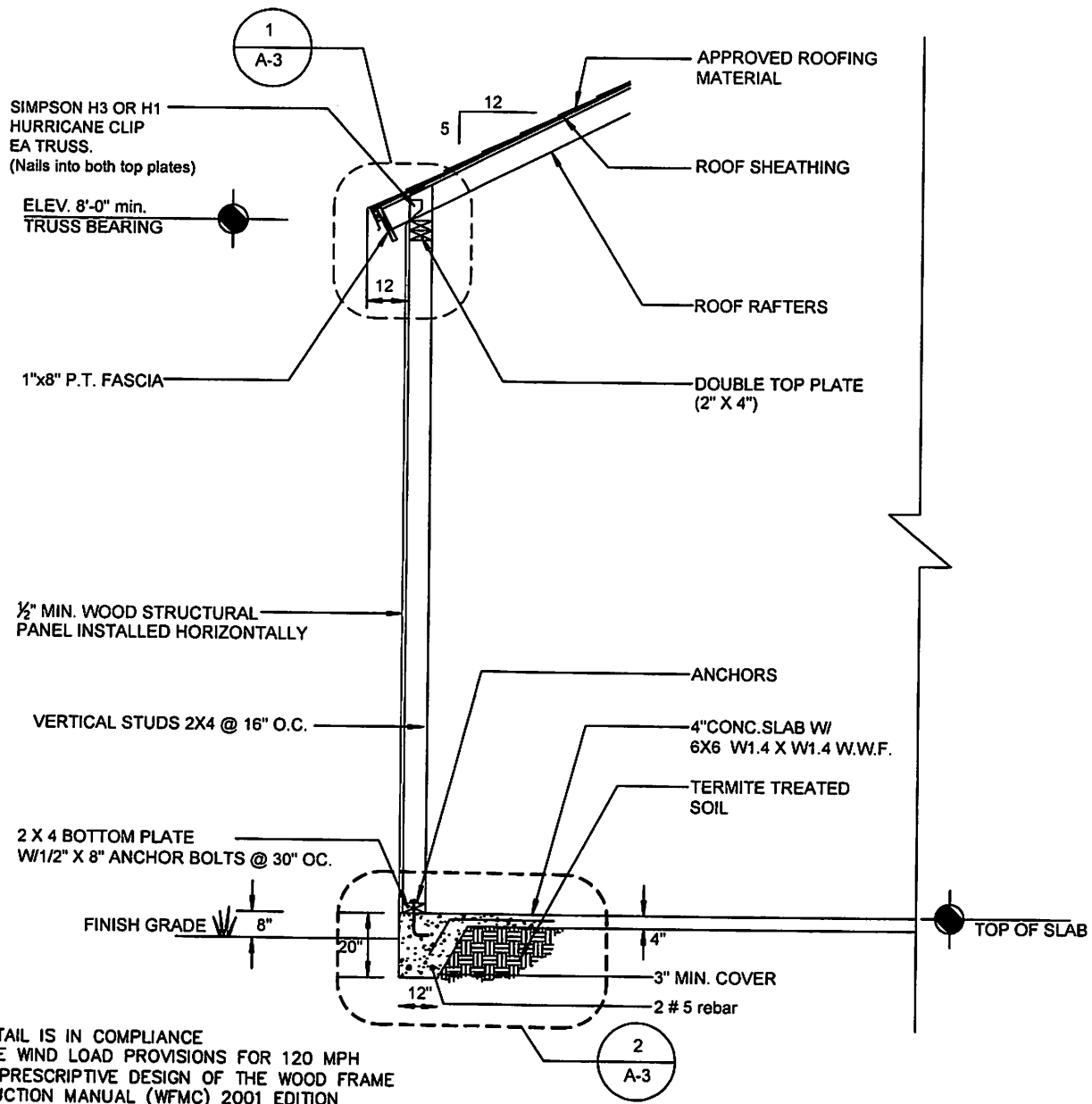


THIS DETAIL IS IN COMPLIANCE WITH THE WIND LOAD PROVISIONS FOR 120 MPH OF THE PRESCRIPTIVE DESIGN OF THE WOOD FRAME CONSTRUCTION MANUAL (WFMC) 2001 EDITION

WOOD FRAMED SHEDS

OPTION 1  
SLAB ON GRADE  
FOUNDATION PLAN

DETAIL NUMBER:	A-1	
SPEC. NUMBER:	45MM	
SCALE:	3/8" = 1'-0"	
DATE:	12/14/04	REVISION DATE:
		3/15/05
DRAWN BY:	ANGEL	APPROVED BY:



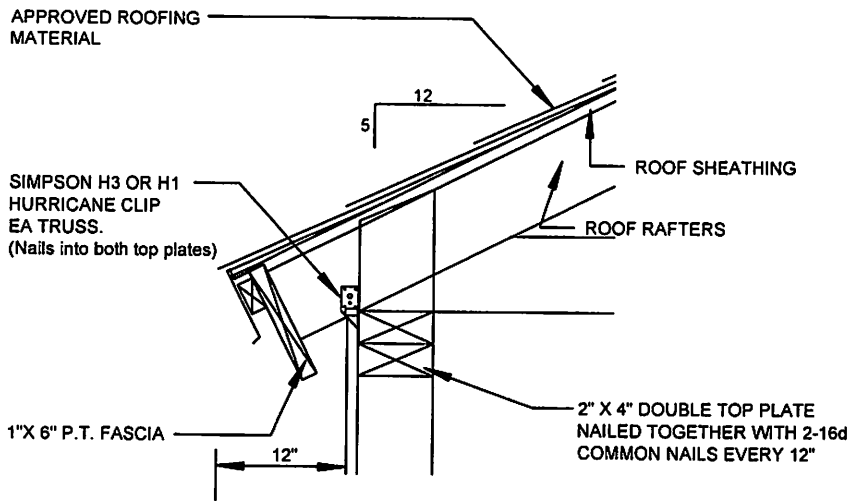
THIS DETAIL IS IN COMPLIANCE WITH THE WIND LOAD PROVISIONS FOR 120 MPH OF THE PRESCRIPTIVE DESIGN OF THE WOOD FRAME CONSTRUCTION MANUAL (WFMC) 2001 EDITION

1  
A-2

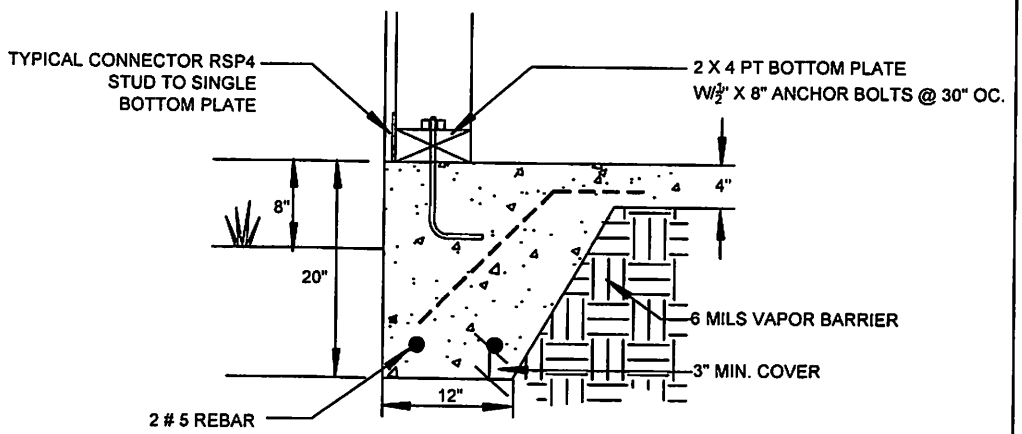
# STANDARD DETAIL

SCALE = 1/4" = 1'-0"

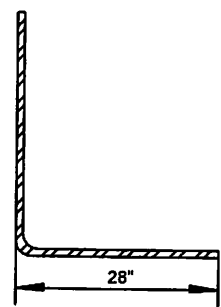
WOOD FRAMED SHEDS	STANDARD DETAIL	DETAIL NUMBER: A-2
	WALL SECTION	SPEC. NUMBER: 45MM
		SCALE: 1/4" = 1'-0"
		DATE: 12/14/04
		REVISION DATE: 3/15/05
		DRAWN BY: ANGEL
		APPROVED BY:



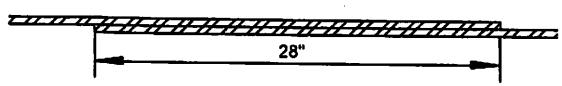
**1 WALL TO ROOF DETAIL**  
 SCALE= 3/4"=1'-0"



**2 FOUNDATION DETAIL**  
 SCALE= 3/4"=1'-0"



**4 STANDARD HOOKS FOR #5 BAR**  
 SCALE= 3/4"=1'-0"



**3 SPLICE DETAIL FOR #5 BAR**  
 SCALE= 3/4"=1'-0"

THIS DETAIL IS IN COMPLIANCE WITH THE WIND LOAD PROVISIONS FOR 120 MPH OF THE PRESCRIPTIVE DESIGN OF THE WOOD FRAME CONSTRUCTION MANUAL (WFMC) 2001 EDITION

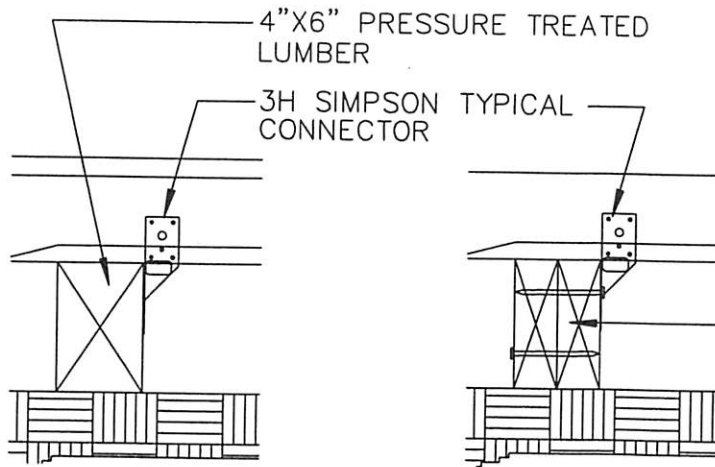
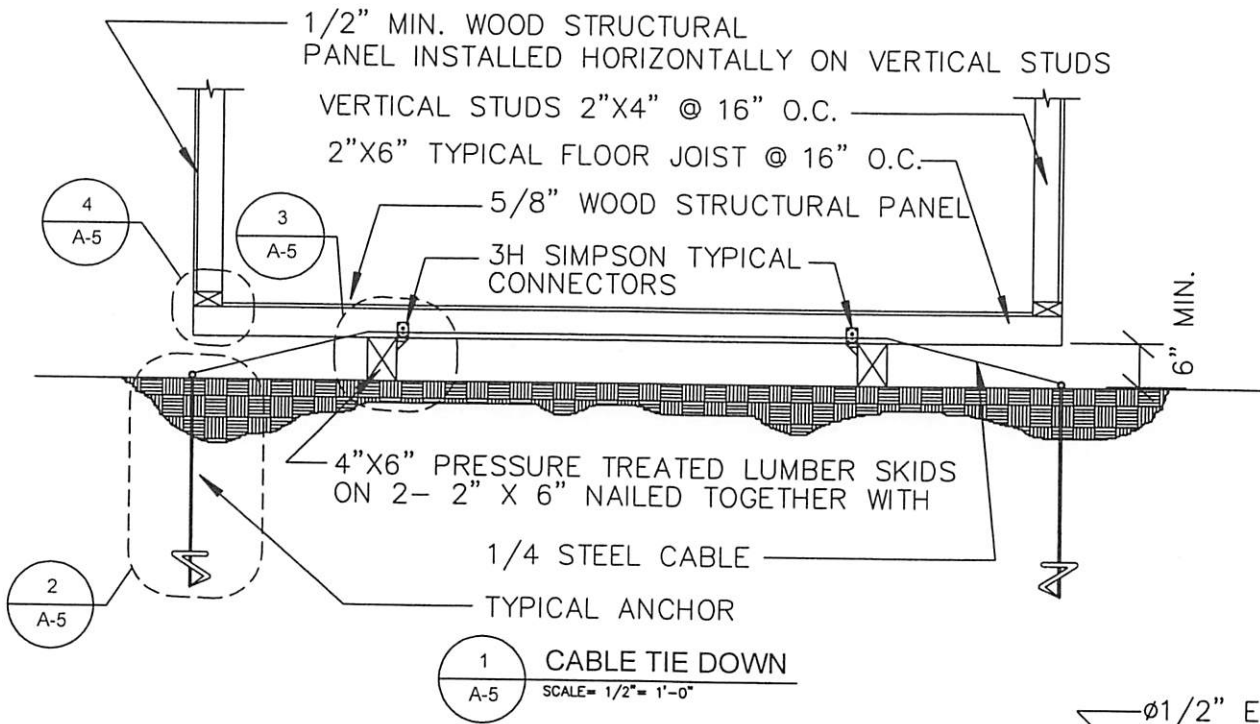
WOOD FRAMED SHEDS

STANDARD DETAILS

ENLARGED DETAIL

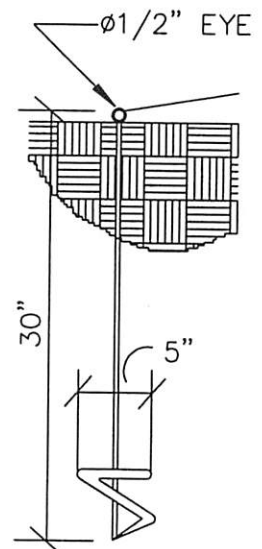
DETAIL NUMBER:	A-3	
SPEC. NUMBER:	45MM	
SCALE:	3/4"=1'-0"	
DATE:	12/14/04	REVISION DATE: 3/15/05
DRAWN BY:	ANGEL	APPROVED BY:





3 (OPTION A)  
A-5 SCALE= 1-1/2"= 1'-0"

3 (OPTION B)  
A-5 SCALE= 1-1/2"= 1'-0"



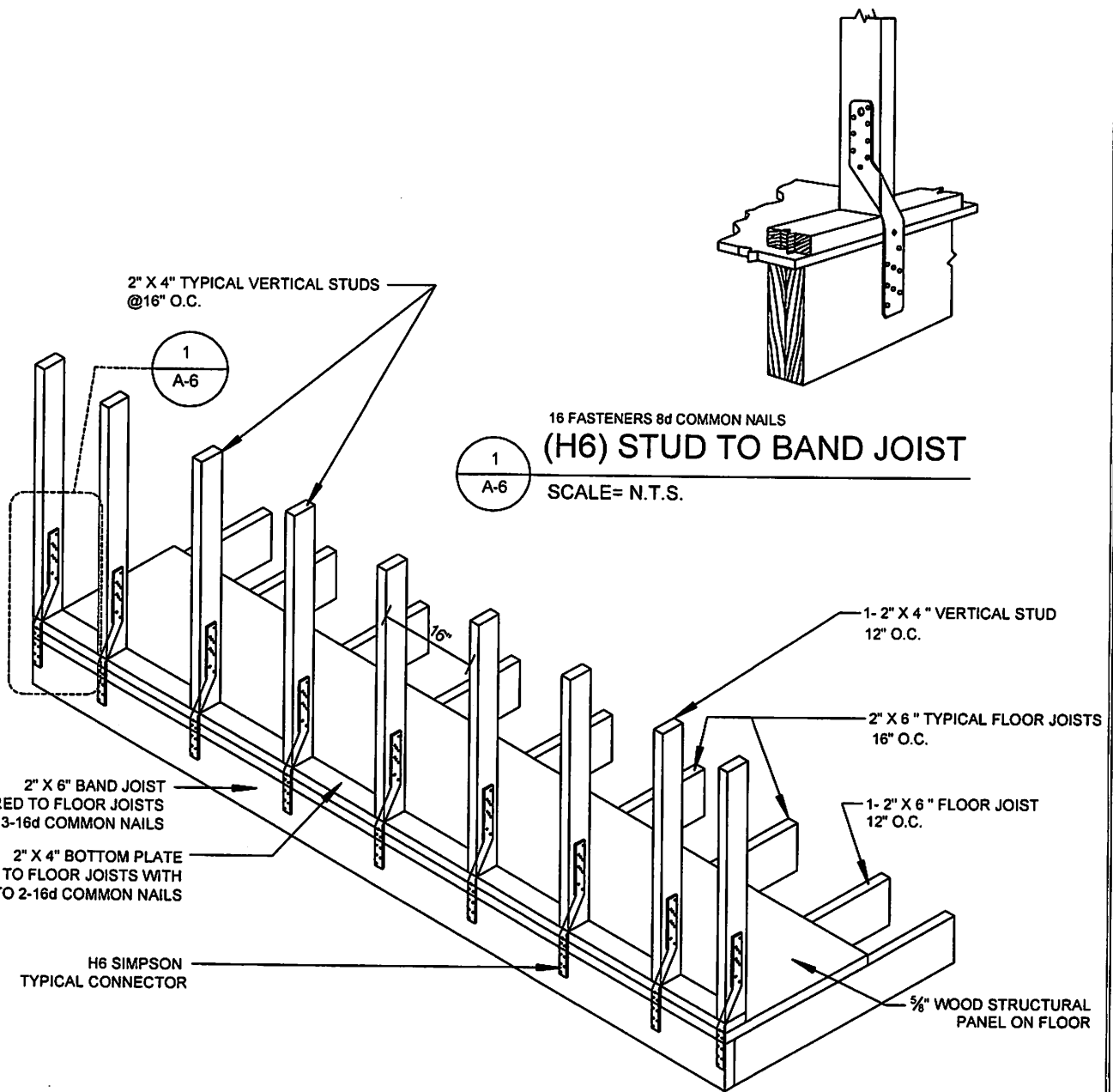
2 TYPICAL ANCHOR  
A-5 SCALE= 1"= 1'-0"

WOOD FRAMED SHEDS

OPTION 2 FLOOR FRAMING DETAIL  
CABLE TIE DOWN

DETAIL NUMBER:	A-5	
SPEC. NUMBER:		
SCALE:	1/2"=1'-0"	
DATE:	12/14/04	REVISION DATE: 3/15/05
DRAWN BY:	ANGEL	APPROVED BY:



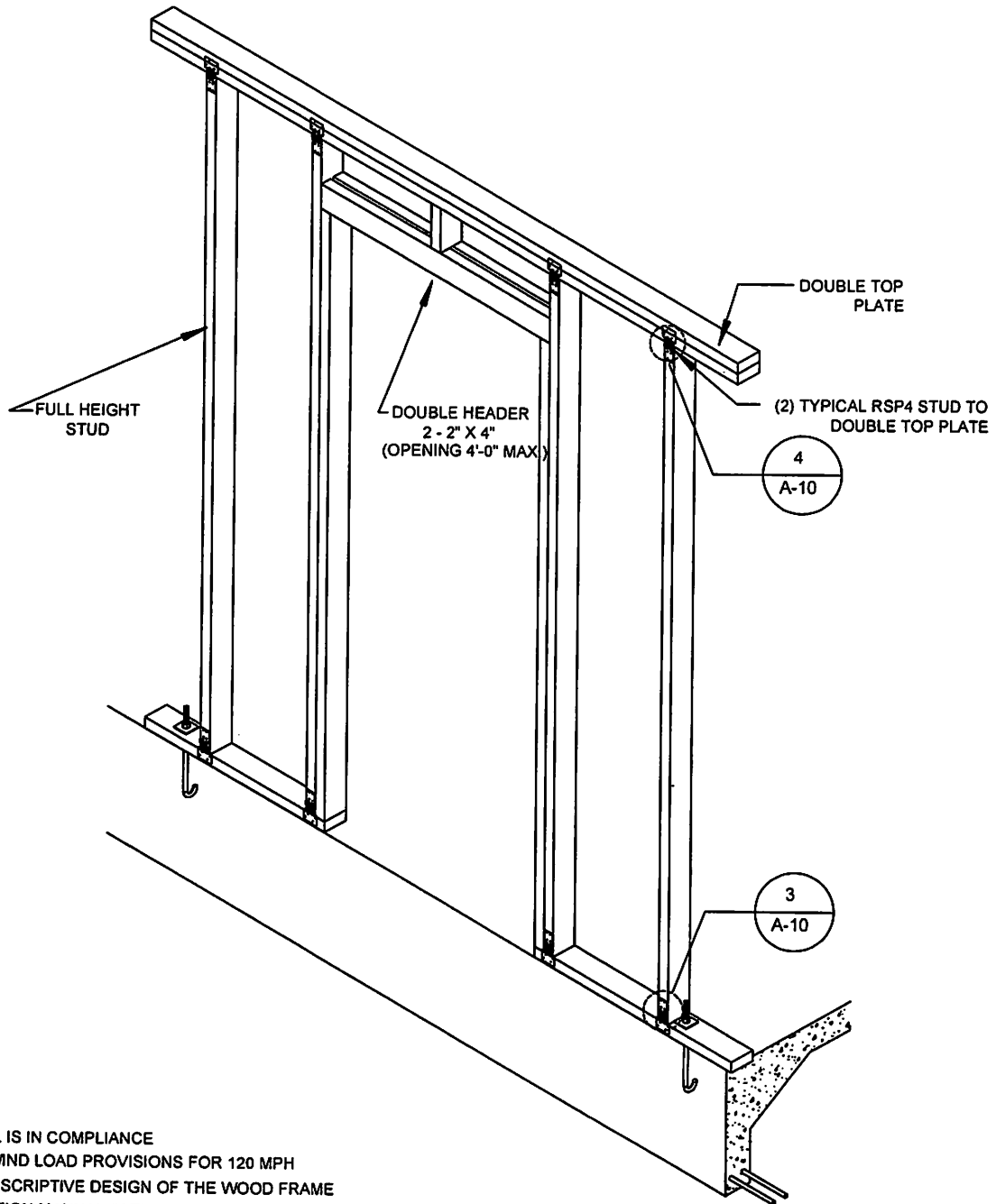


THIS DETAIL IS IN COMPLIANCE WITH THE WIND LOAD PROVISIONS FOR 120 MPH OF THE PRESCRIPTIVE DESIGN OF THE WOOD FRAME CONSTRUCTION MANUAL (WFMC) 2001 EDITION

WOOD FRAMED SHEDS

STANDARD DETAIL  
FLOOR FRAMING

DETAIL NUMBER:	A-6
SPEC. NUMBER:	45MM
SCALE:	3/8"=1'-0"
DATE:	12/14/04
REVISION DATE:	3/15/05
DRAWN BY:	ANGEL
APPROVED BY:	



THIS DETAIL IS IN COMPLIANCE  
 WITH THE WIND LOAD PROVISIONS FOR 120 MPH  
 OF THE PRESCRIPTIVE DESIGN OF THE WOOD FRAME  
 CONSTRUCTION MANUAL (WFMC) 2001 EDITION

WOOD FRAMED  
 SHEDS

STANDARD DETAIL  
 FRAMING AT DOOR OPENING

DETAIL NUMBER:		A-8
SPEC. NUMBER:		45MM
SCALE:		3/8"=1'-0"
DATE:	REVISION DATE:	
12/14/04	3/15/05	
DRAWN BY:	APPROVED BY:	
ANGEL		

SIM 2  
1  
A-10

FULL HEIGHT  
STUD

DOUBLE HEADER  
2 - 2" X 4"  
(OPENING 4'-0" MAX.)

DOUBLE TOP  
PLATE

(2) TYPICAL RSP4 STUD TO  
DOUBLE TOP PLATE

4  
A-10

(1) TYPICAL RSP4  
STUD TO SINGLE  
BOTTOM PLATE

3  
A-10

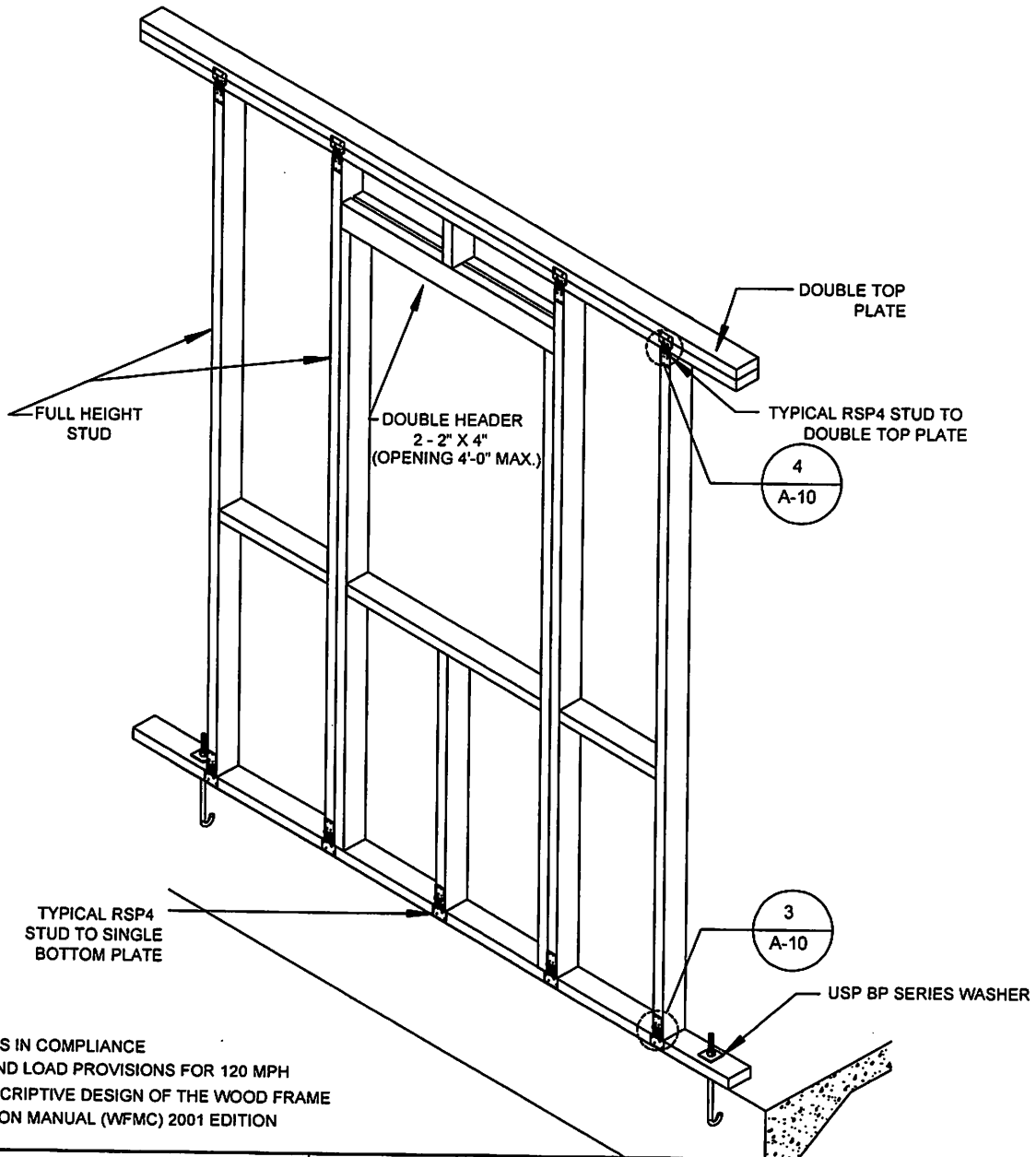
THIS DETAIL IS IN COMPLIANCE  
WITH THE WIND LOAD PROVISIONS FOR 120 MPH  
OF THE PRESCRIPTIVE DESIGN OF THE WOOD FRAME  
CONSTRUCTION MANUAL (WFMC) 2001 EDITION

WOOD FRAMED  
SHEDS

STANDARD DETAIL

FRAMING AT WINDOW OPENING  
SIDEWALL

DETAIL NUMBER:	A-9
SPEC. NUMBER:	45MM
SCALE:	3/8"=1'-0"
DATE:	12/14/04
REVISION DATE:	3/15/05
DRAWN BY:	ANGEL
APPROVED BY:	



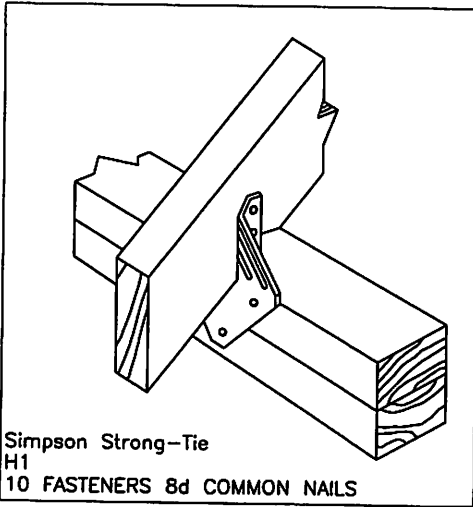
THIS DETAIL IS IN COMPLIANCE WITH THE WIND LOAD PROVISIONS FOR 120 MPH OF THE PRESCRIPTIVE DESIGN OF THE WOOD FRAME CONSTRUCTION MANUAL (WFMC) 2001 EDITION

WOOD FRAMED SHEDS

STANDARD DETAIL

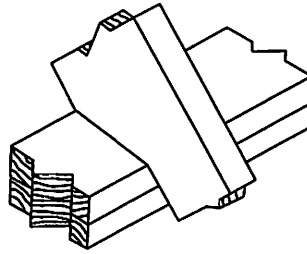
FRAMING AT WINDOW OPENING ENDWALL

DETAIL NUMBER:		A-10	
SPEC. NUMBER:		45MM	
SCALE: 3/8"=1'-0"			
DATE:	12/14/04	REVISION DATE:	3/15/05
DRAWN BY:	ANGEL	APPROVED BY:	

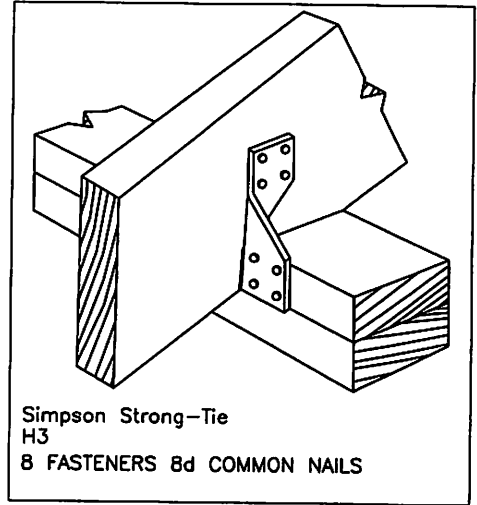


Simpson Strong-Tie  
H1  
10 FASTENERS 8d COMMON NAILS

1 (H1) ROOF DETAIL  
A-10 N.T.S.

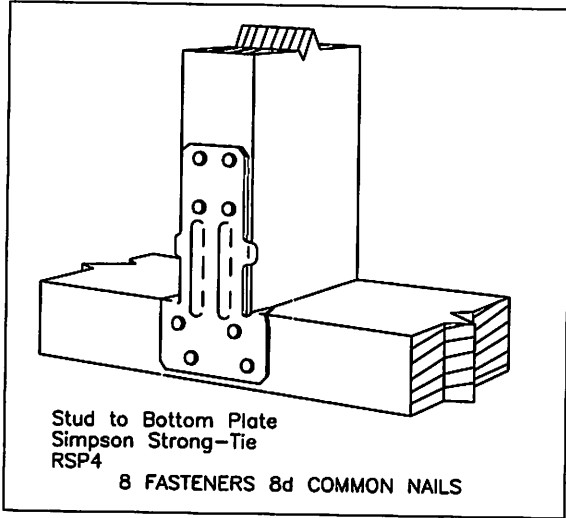


2 RAFTERS NOTCHED AT  
TOP PLATE (BIRD MOUTH CUT)  
A-10 N.T.S.



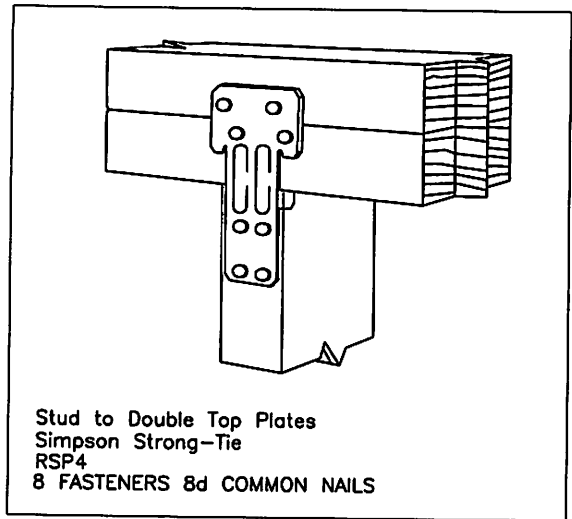
Simpson Strong-Tie  
H3  
8 FASTENERS 8d COMMON NAILS

3 (H3) ROOF DETAIL  
A-10 N.T.S.



Stud to Bottom Plate  
Simpson Strong-Tie  
RSP4  
8 FASTENERS 8d COMMON NAILS

4 (1) TYPICAL RSP4  
STUD SINGLE BOTTOM PLATE  
A-10 N.T.S.



Stud to Double Top Plates  
Simpson Strong-Tie  
RSP4  
8 FASTENERS 8d COMMON NAILS

5 (2) TYPICAL RSP4  
STUD TO DOUBLE TOP PLATE  
A-10 N.T.S.

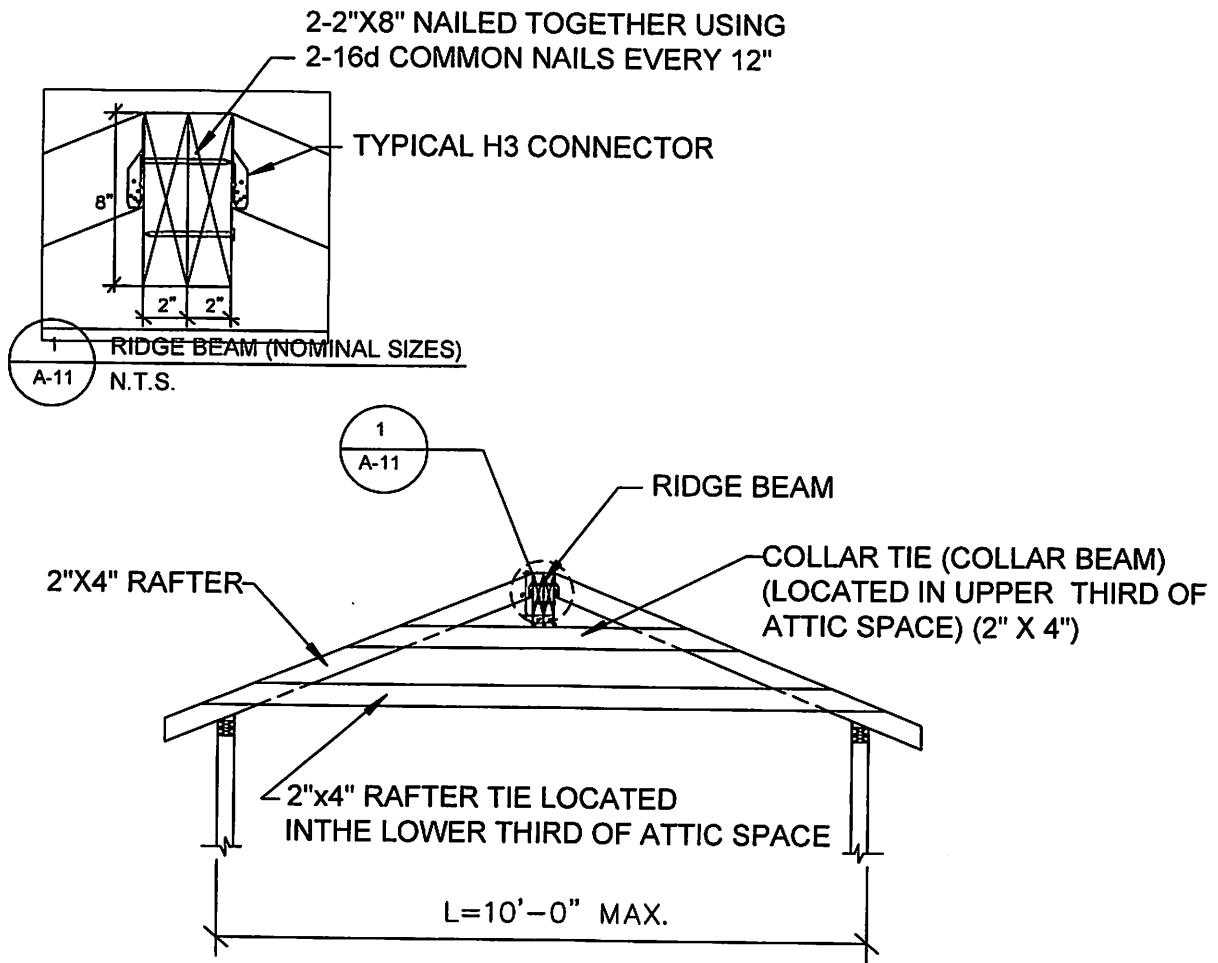
THIS DETAIL IS IN COMPLIANCE  
WITH THE WIND LOAD PROVISIONS FOR 120 MPH  
OF THE PRESCRIPTIVE DESIGN OF THE WOOD FRAME  
CONSTRUCTION MANUAL (WFMC) 2001 EDITION

WOOD FRAMED  
SHEDS

STANDARD DETAIL

CONNECTOR DETAILS

DETAIL NUMBER:		A-11	
SPEC. NUMBER:		45MM	
SCALE:		N.T.S.	
DATE:	12/14/04	REVISION DATE:	3/15/05
DRAWN BY:	ANGEL	APPROVED BY:	



THIS DETAIL IS IN COMPLIANCE  
WITH THE WIND LOAD PROVISIONS FOR 120 MPH  
OF THE PRESCRIPTIVE DESIGN OF THE WOOD FRAME  
CONSTRUCTION MANUAL (WFMC) 2001 EDITION

WOOD FRAMED  
SHEDS

STANDARD DETAIL

RIDGE BEAM AND  
COLLAR TIE DETAIL

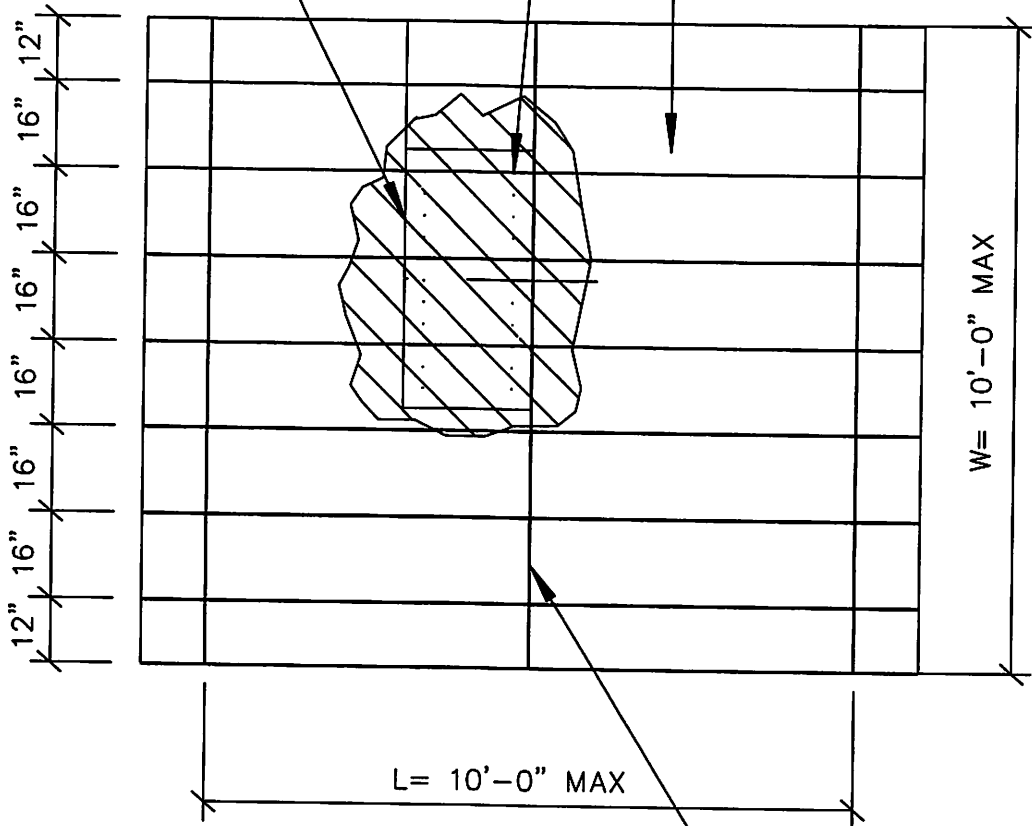
DETAIL NUMBER:		A-12	
SPEC. NUMBER:		45MM	
SCALE:		3/8"=1'-0"	
DATE:	REVISION DATE:	3/15/05	
12/14/04	APPROVED BY:	ANGEL	
DRAWN BY:		ANGEL	

8d COMMON NAILS  
OR  
10d BOX NAILS

6" O.C. AT EDGES  
12" O.C. INTERMEDIATE

RAFTERS 16" O.C.

ROOF SHEATHING



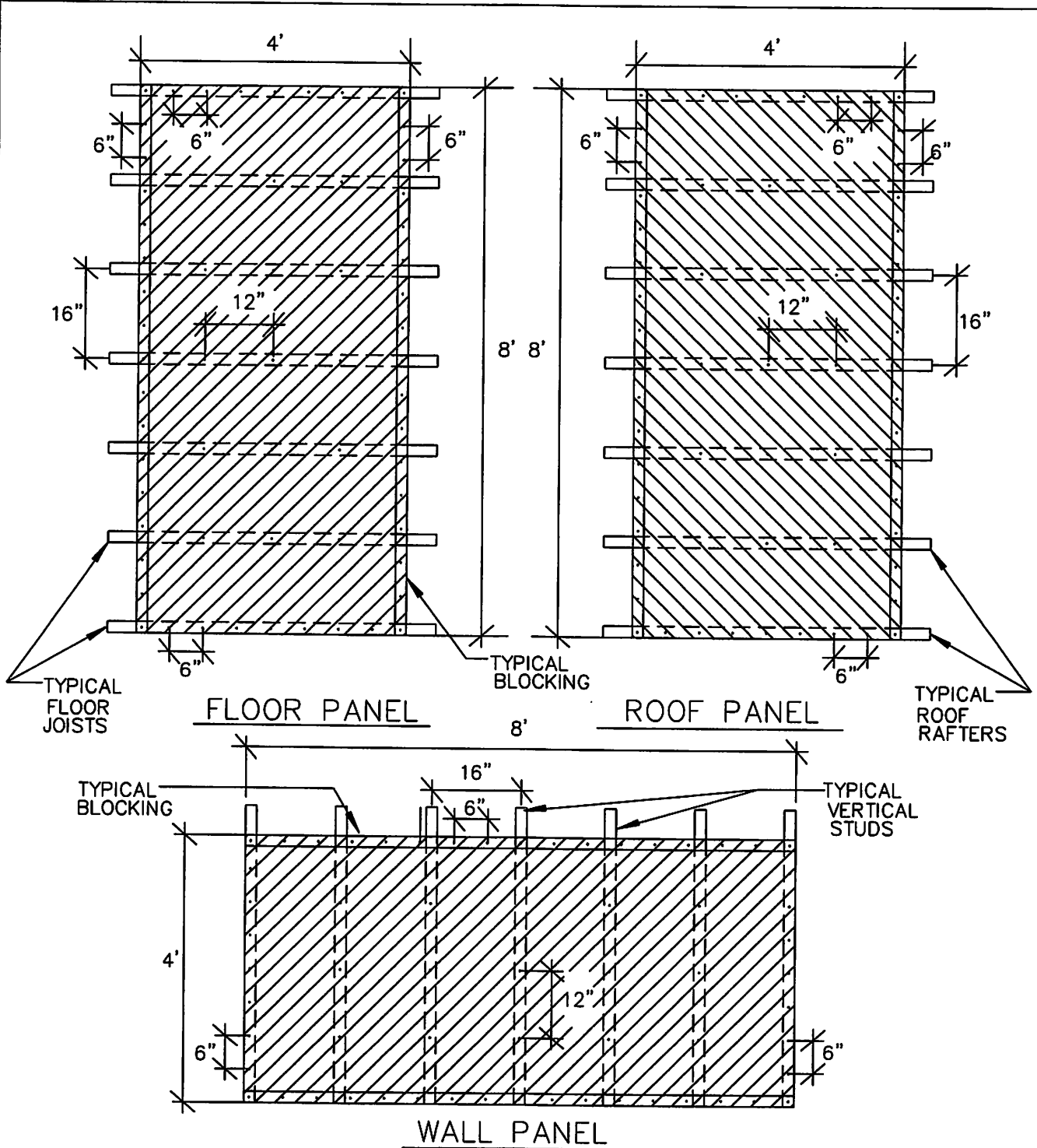
RIDGE BOARD

THIS DETAIL IS IN COMPLIANCE  
WITH THE WIND LOAD PROVISIONS FOR 120 MPH  
OF THE PRESCRIPTIVE DESIGN OF THE WOOD FRAME  
CONSTRUCTION MANUAL (WFMC) 2001 EDITION

WOOD FRAMED  
SHEDS

STANDARD DETAIL  
ROOF FRAMING PLAN

DETAIL NUMBER:		A-13	
SPEC. NUMBER:		45MM	
SCALE:		3/8"=1'-0"	
DATE:	REVISION DATE:	12/14/04	3/15/05
DRAWN BY:	APPROVED BY:	ANGEL	



WOOD FRAMED SHEDS

NAILING PATTERN

WOOD STRUCTURAL PANELS

DETAIL NUMBER:		A-14	
SPEC. NUMBER:		45MM	
SCALE: 3/8"=1'-0"			
DATE:	12/14/04	REVISION DATE:	3/15/05
DRAWN BY:	ANGEL	APPROVED BY:	



SIM 2  
1  
A-10

FULL HEIGHT  
STUD

TYPICAL RSP4  
STUD TO SINGLE  
BOTTOM PLATE

DOUBLE TOP  
PLATE

TYPICAL RSP4 CONNECTOR STUD TO  
DOUBLE TOP PLATE

4  
A-10

3  
A-10

THIS DETAIL IS IN COMPLIANCE  
WITH THE WIND LOAD PROVISIONS FOR 120 MPH  
OF THE PRESCRIPTIVE DESIGN OF THE WOOD FRAME  
CONSTRUCTION MANUAL (WFMC) 2001 EDITION

WOOD FRAMED  
SHEDS

STANDARD DETAIL  
WALL FRAMING

DETAIL NUMBER:		A-7
SPEC. NUMBER:		45MM
SCALE:		3/8"=1'-0"
DATE:	REVISION DATE:	
12/14/04	3/15/05	
DRAWN BY:	APPROVED BY:	
ANGEL		